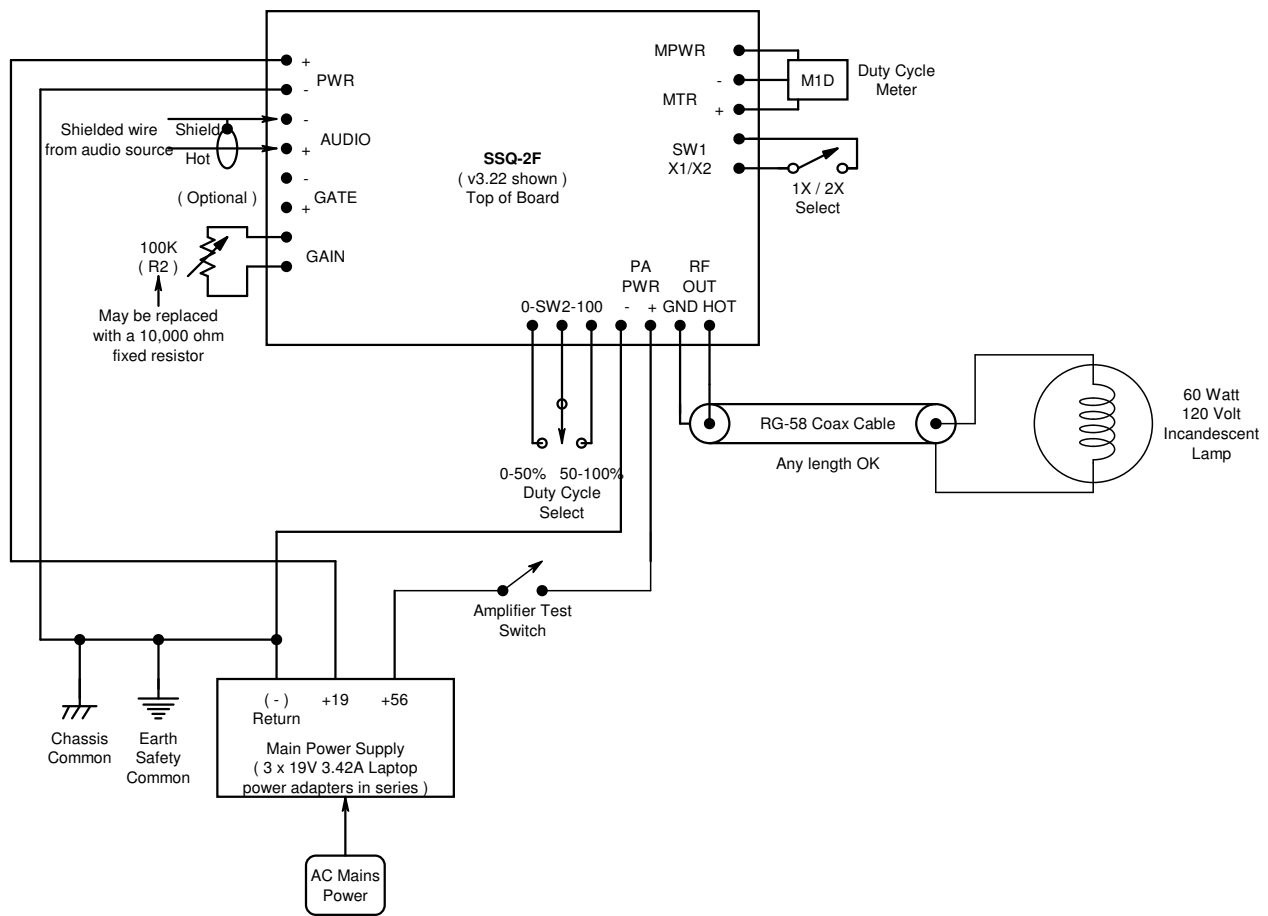


BENCH TEST SETUP FOR SSQ-2F
 (Any Version)
 Copyright (c) 2014 by Ralph M. Hartwell II
 All Rights Reserved
 V1.00 17 May 2014
 filename - SSQ-TEST1.FLO



WARNING - You must have a cooling fan set up to blow plenty of cooling air over the heat sink of the IRF730 or the transistor will burn out.